



diagnostic and laboratory  
equipment

# diagnostic and laboratory equipment

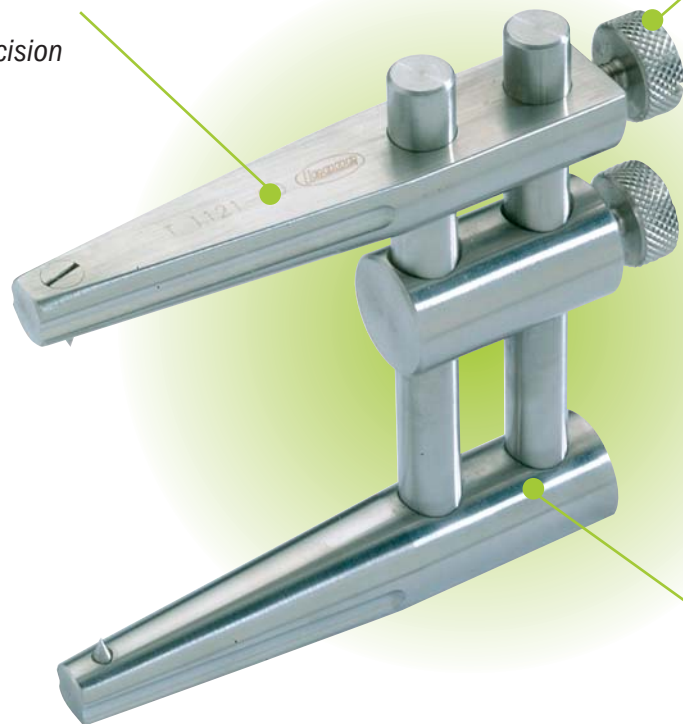


As a completion of the wide range of Leone orthodontic products, some equipment and essential accessories for the laboratory and the dental office are here introduced.

This range is the result of extended researches and tests effected from our technicians and a long term collaboration with international technicians and orthodontists.

**entirely made of stainless steel**  
*with the highest precision*

**locking screw**  
*for insertion and removal of the models*



**No undesired lateral movements**  
*due to a double guided sliding movement*



## T3061-00

### Plastic model bases

These model bases are made of impact resistant, white plastic, with posterior hinges to keep the model in occlusion. Square corners conform to international standards and uniform height makes the models to be comparable over the time and in all perspectives. For correct diagnosis and control during treatment.

To be used with the practical position plate T3062-02 supplied with the package.

Ease and precision of working models, which can also be performed directly in the dental office.

*Pack of 100 upper and 100 lower pieces,  
2 position plates with guide rails and labels*



## T3062-00

### Spare hinges for T3061-00 model bases

*Pack of 10*

## T3062-01

### Spare labels for T3061-00 model bases

*Pack of 100*

## T3062-02

### Position plates for T3061-00 model bases

*Pack of 10, with 20 guide-rails*



## Rubber model base formers

### T3320-00 Large

*Pack of 2 - upper and lower*

### T3321-00 Small

*Pack of 2 - upper and lower*

# vertical model occluder and model trays



**T1121-00**

## Vertical model occluder

Entirely made of stainless steel with high precision.

The double sliding guides prevent from any undesired lateral movement.

Models can be disengaged from the occluder by loosening the locking screw.

**Locking screw T1122-00.**



**T3355-00**

## Modelbox

Transparent PVC model containers supplied with pre shaped sponges for full protection of models.

*Pack of 100*



## Trays for model bases

**T3360-00** Blue

**T3361-00** Red

Two drawers for storing six model bases each box.

Outer sizes: 250 x 200 x 80 mm.

*Packs of 16 boxes*

## Trays for study models

**T3350-00** Blue

**T3351-00** Red

Two drawers for storing eight models each box.

Outer sizes: 285 x 190 x 55 mm.

*Packs of 24 boxes*



## Pressure pot

**T1330-00** Capacity: 4 l

**T1335-00** Capacity: 9 l

Necessary for the polymerization of all kinds of orthodontic acrylics.

T1330-00 pressure pot is roomy enough to contain a model occluder or an articulator; T1335-00 pressure pot may contain larger model occluders or articulators.

Both pressure pots are supplied with a special safety valve tested to act at a working overpressure of 2,5 bar.

## Replacement parts for T1330-00 and T1335-00

- T1330-01** Lid sealing ring T1330-00
- T1335-01** Lid sealing ring T1335-00
- T1330-02** Safety valve
- T1330-03** Manometer
- T1330-04** Air inlet valve
- T1330-05** Locking lever
- T1330-06** Smooth handle for lid
- T1330-07** Anatomical handle
- T1330-08** Posterior handhold

# hydroflasks



## T1315-00 Leone hydroflask

Orthodontic cold curing acrylics require the polymerization under pressure technique.

This kind of polymerization enables the vaporization of monomer and condensing of acrylic, which will perfectly fit the plaster model. Plates are coming out perfectly finished and can be immediately polished. The Leone hydroflask allows you to make use of the polymerization under pressure technique easily and economically.

### Technical features:

- Inside dimensions: 100 x 115 mm
- Outside dimensions: 111 x 130 mm
- Pressure gauge
- Exhaust valve
- Made of hard aluminium
- Built-in thermometer



## T1310-00 Leone hydroflask

With the same features as T1315-00, without thermometer and slightly smaller.

### Technical features:

- Inside dimensions: 100 x 88 mm
- Outside dimensions: 111 x 105 mm
- Pressure gauge
- Exhaust valve
- Made of hard aluminium

## Replacement parts for hydroflasks

- T2300-00 Hydroflask lid
- T2301-00 Rubber seal for lid
- T2302-00 Air valve
- T2303-00 Thermometer for T1315-00
- T2304-00 Pressure gauge



## T1311-00 Press for hydroflask

Convenient press for hydroflasks T1310-00 and T1315-00, made of pressure cast aluminium. Extremely easy to use.



## T3330-00 Typodont

Typodont has been since long in use for testing orthodontic appliances in the office. This unit is offering also ease of handling and accuracy of details.

Fully made of aluminium, with lateral and protrusive movements. It can be easily made to lay flat and take away in a normal case.



## Typodont wax bases

- T3332-00** Class I
- T3336-00** Normal occlusion
- T3337-00** Class II, Div. I
- T3338-00** Class II, Div. II
- T3339-00** Class III

*Packs of 2, upper and lower*



## T3529-00 Acrylic teeth for Typodont T3330-00

Purposely designed for Typodont T3330-00, they are necessary for making practice with the direct bonding brackets.

*Pack of 28 teeth*

# cephalometric accessories



## **T3603-00** Acetate sheets for cephalometric tracing

Sheets with double matt and polish surface. Sizes: 203 x 254 mm.

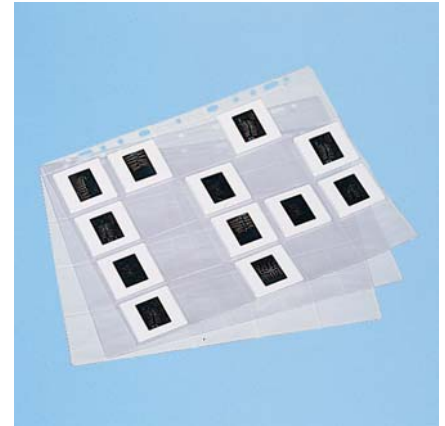
*Pack of 100 sheets*



## **T3608-00** Marking pencil white

For marking arch wires, bite planes, etc.

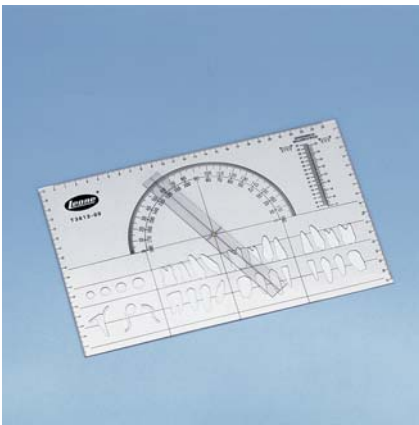
*Pack of 1*



## **T3611-00** Covers for slides

Necessary for protection of slides from damage and easy to file inside patient own card. Sizes: 24 x 36 cm.

*Pack of 100 covers*



## **T3612-00** Goniometer-cephalometric template

Provided with a scale on three sides and a Ballard-Wylie diagram.

*Pack of 1*



## **T1212-00** Plier rack

# material for duplication of models and model bases



**T1203-00**  
Plier rack



**T1200-00**  
Plier rack



**T1201-00**  
Plier rack

It can store up to 15 pliers.



## Leone copolymer duplication plates

Sizes: 130 x 140 mm, 2 or 3 mm thick, these plates are made of a special material getting soft and gelatinous at a temperature of 90° C.

Just dip in boiling water, lay on the model and press over with the duplicating press: a fine detailed model impression is obtained.

**T0900-02** Pack of 50 plates  
2 mm thick

**T0900-03** Pack of 50 plates  
3 mm thick

**T0900-92** Pack of 500 plates  
2 mm thick

**T0900-93** Pack of 500 plates  
3 mm thick



## Saw

**T1565-00** Saw

**T1566-00** 12 blades for plaster

**T1567-00** 12 blades for metal



## Saw for set-up

**T1561-00** Saw with 1 blade

**T1563-00** 12 large serrated blades

Easy change of blades and perfect handiness.